

Detention Security Fixed Hollow Metal Windows Galvanized A60, G90 or Stainless Steel

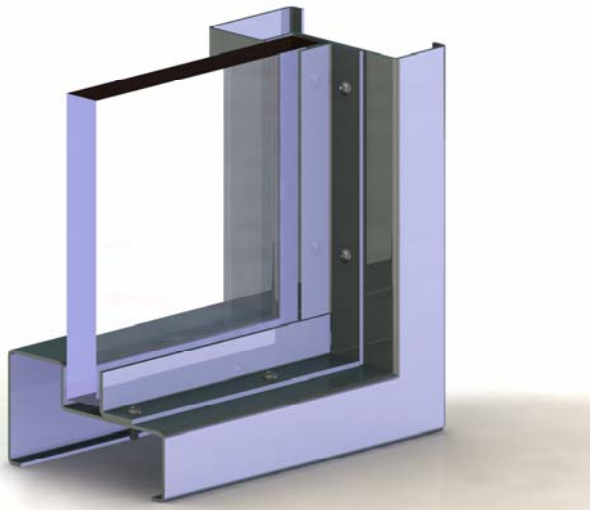
Florida Building Code Compliant
Miami Dade NOA # available



Testing and Standards: *Reference Specifications for additional criteria*

ANSI/NAAMM/HMMA 863
ASTM F 1592-01
ASTM A 627-03
ASTM E 331-00
ASTM E 283-04
ANSI A 250-10
ASTM B 117-03

Detention Security Hollow Metal Vision Frames
Detention Hollow Metal Vision Systems
Tool Resisting Steel Bars, Flats and Shapes
Water Penetration
Air Leakage
Performance of Coatings
Operating Salt Spray



264 Stapleton Road, Cornelia, GA 30531
Phone: 706.778.2212 Fax: 706.778.2769
www.habershammetal.com

Engineered Steel Doors and Frames – Since 1954