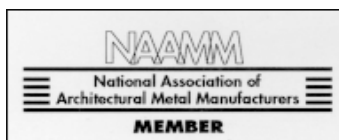
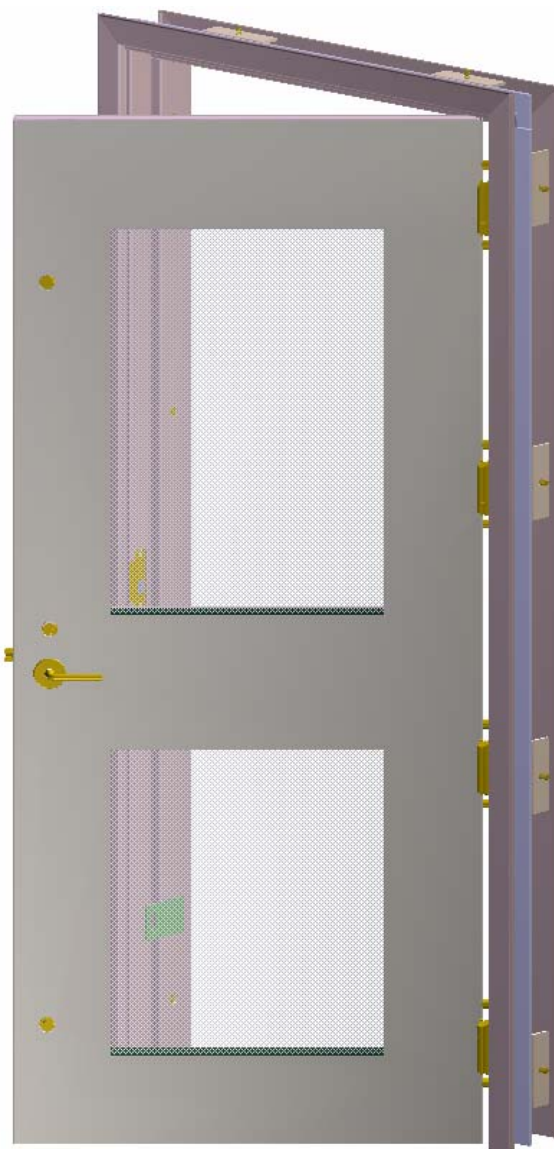




264 Stapleton Road, Cornelia, GA 30531 www.habershammetal.com
Phone: 706.778.2212 Fax: 706.778.2769

Engineered Steel Doors and Frames – Since 1954



Detention Standard Door Elevations

ASTM F 1450-05 and F 1592-05, NAAMM/HMMA 863-04

Detention Grade 1 – 4 Doors and Frames with rolled, A60, G90 or Stainless Steel construction

Available with Detention Louvers, Fire ratings, Bullet resistance (UL level 1-8, HPW),
Forced Entry Ballistic Resistant FE/BR, Blast Ratings, Hurricane, Dade County NOA #'s



Flush – F

Single Light – FV

Narrow Light – FVV



Vision Light – FG

Two (2) Light – 2PG

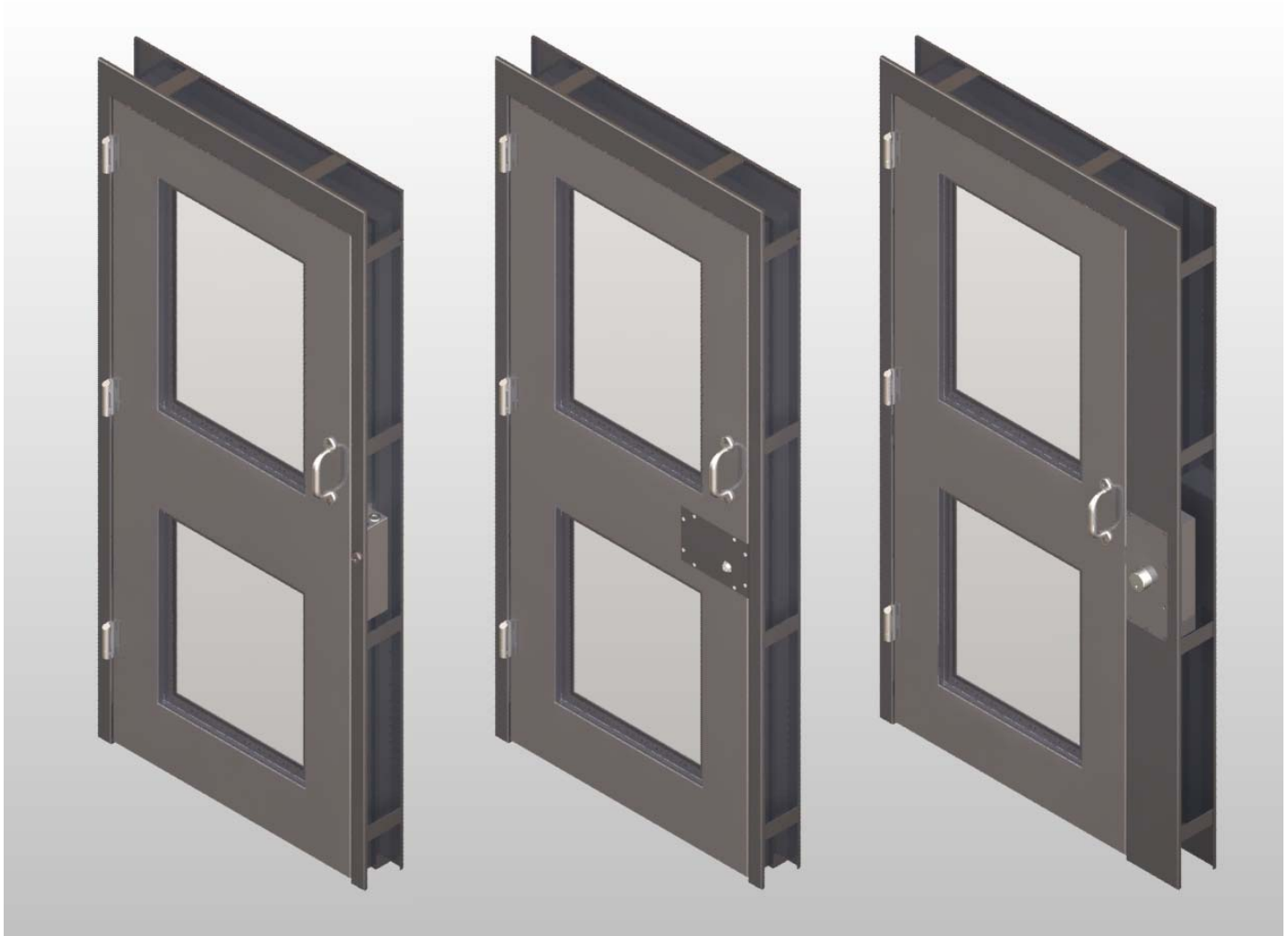


264 Stapleton Road, Cornelia, GA 30531
Phone: 706.778.2212 Fax: 706.778.2769
www.habershammetal.com

Engineered Steel Doors and Frames – Since 1954

Doors & Frames are Custom Engineered to meet Current Detention Lock Styles

Slim-line, Door or Frame mounted standard lock preparations are shown below
w/ Two (2) light – 2PG Door Elevation (other elevation types are available)



**Slim-line Frame Mounted
Lock Preparation**

**Door Pocket Lock
Preparation**

**Frame Mounted Lock
Preparation**



Habersham JML (Jamb Mounted Lock) Box

Custom Engineered to selected Lock Manufacturers and Types for security and protection



264 Stapleton Road, Cornelia, GA 30531
Phone: 706.778.2212 Fax: 706.778.2769
www.habershammetal.com

Engineered Steel Doors and Frames – Since 1954

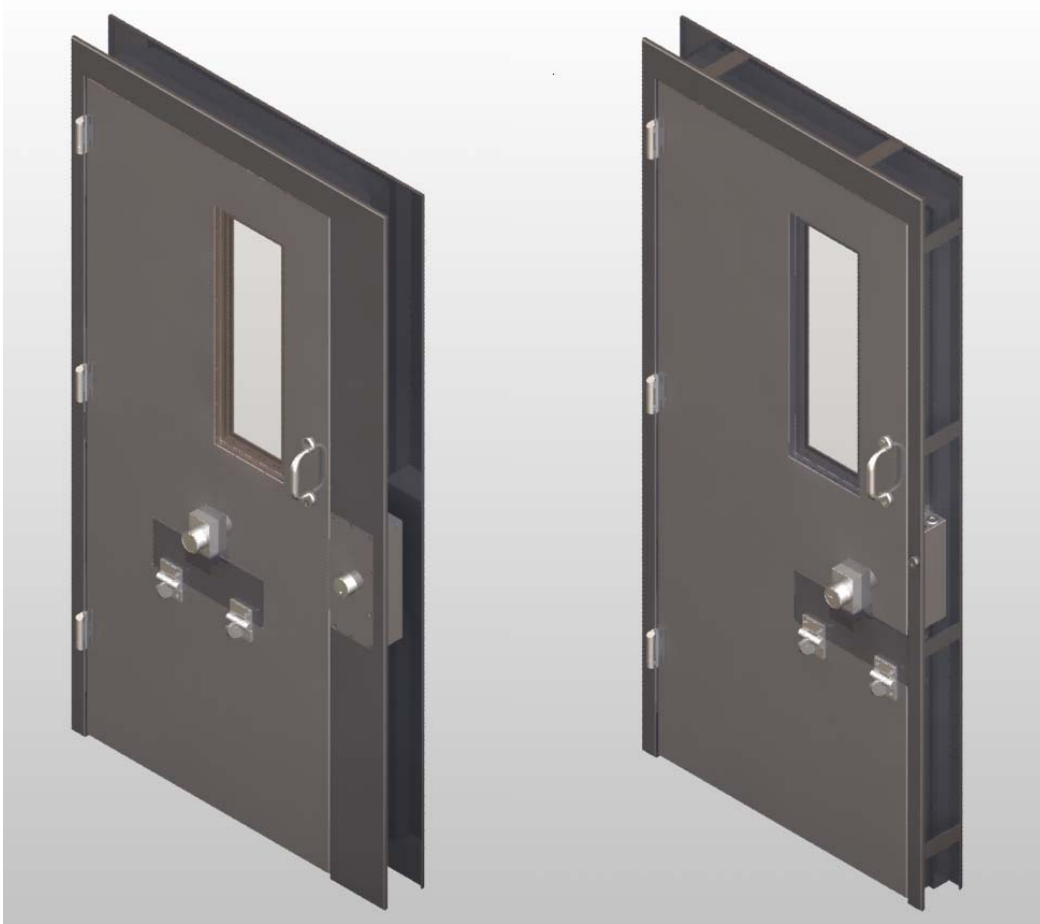
Plate Type - Food Pass/Cuff Port

10 ga. shutter with 10 ga. back up plate

Custom prepared for the client's choice of Lock and Hinges.

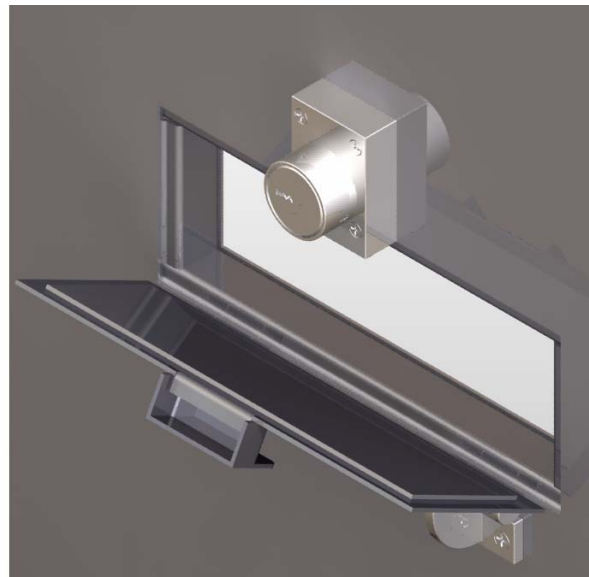
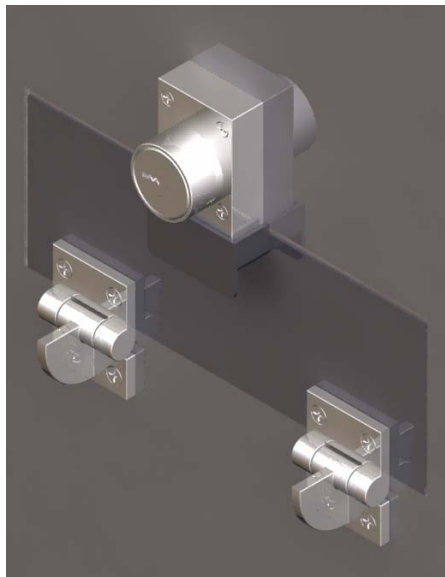
Door elevations may include additional ankle cuff port.

May be used in frames for ports into secure area



Center Food Pass

Edge Cut Food Pass



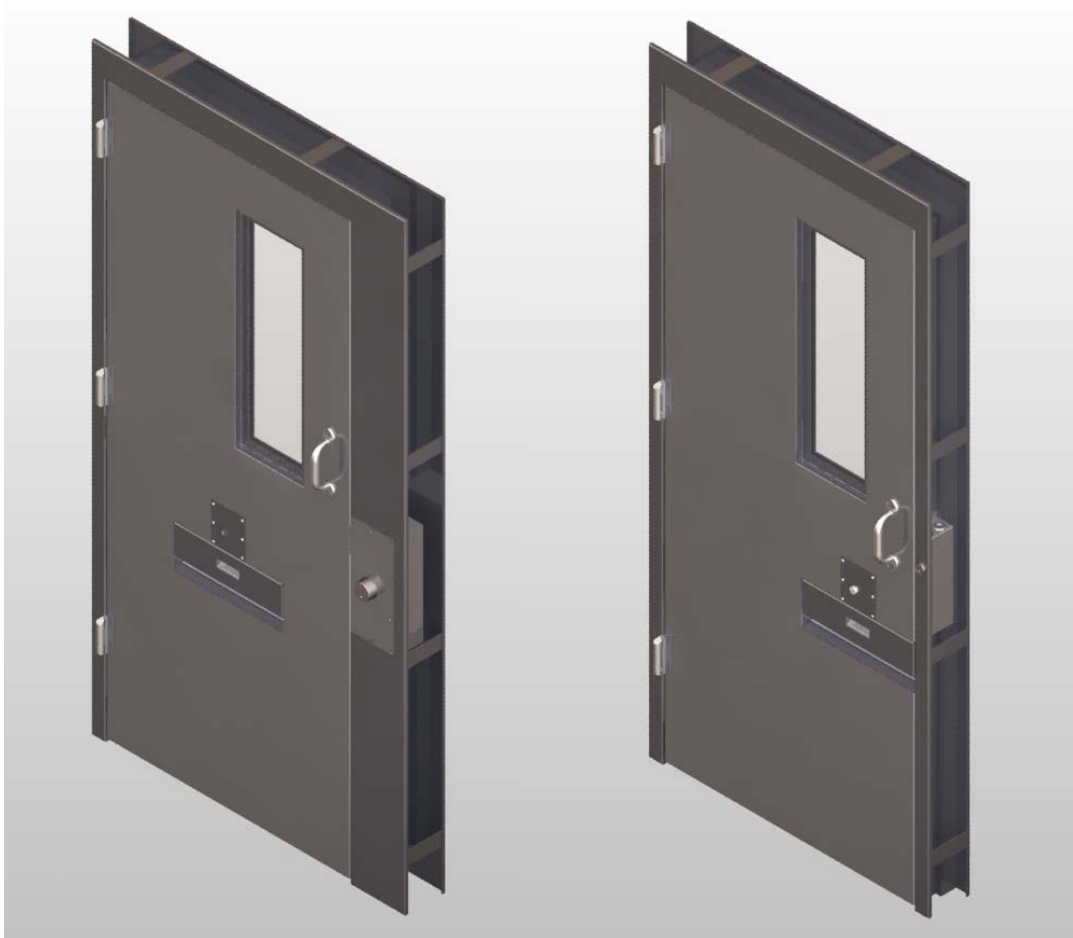
264 Stapleton Road, Cornelia, GA 30531
Phone: 706.778.2212 Fax: 706.778.2769
www.habershammetal.com

Engineered Steel Doors and Frames – Since 1954

Two inch (2'') Hollow Metal Food Pass/Cuff Port

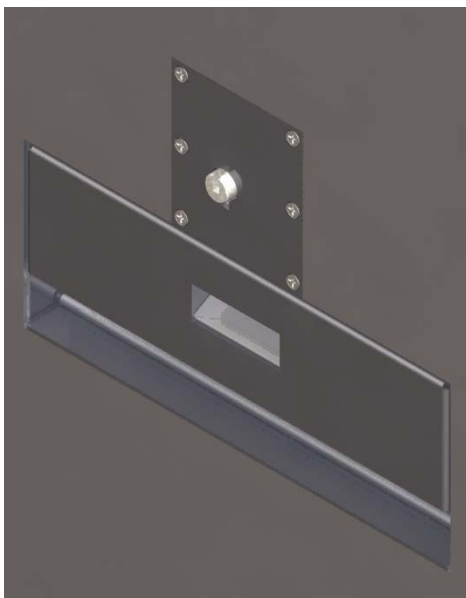
Custom prepared for the client's choice of Lock and Hinges.

Door elevations may include additional ankle cuff ports.
May be used in frames for ports into secure area



Center Food Pass

Edge Cut Food Pass



264 Stapleton Road, Cornelia, GA 30531
Phone: 706.778.2212 Fax: 706.778.2769
www.habershammetal.com

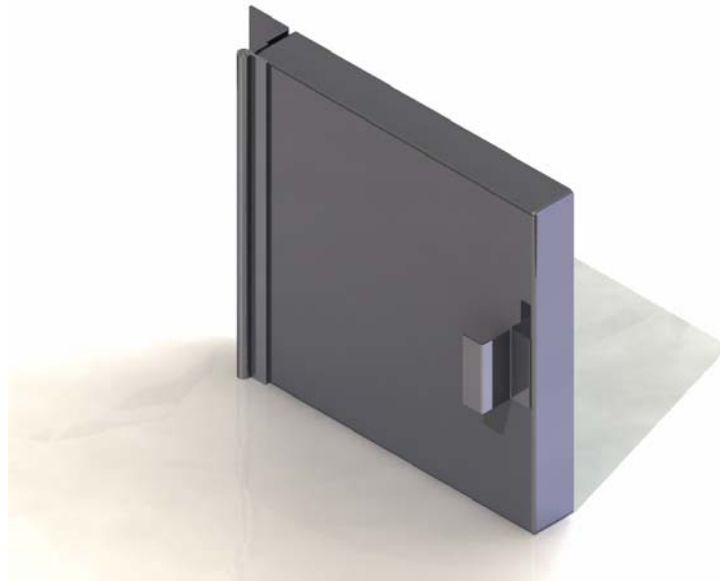
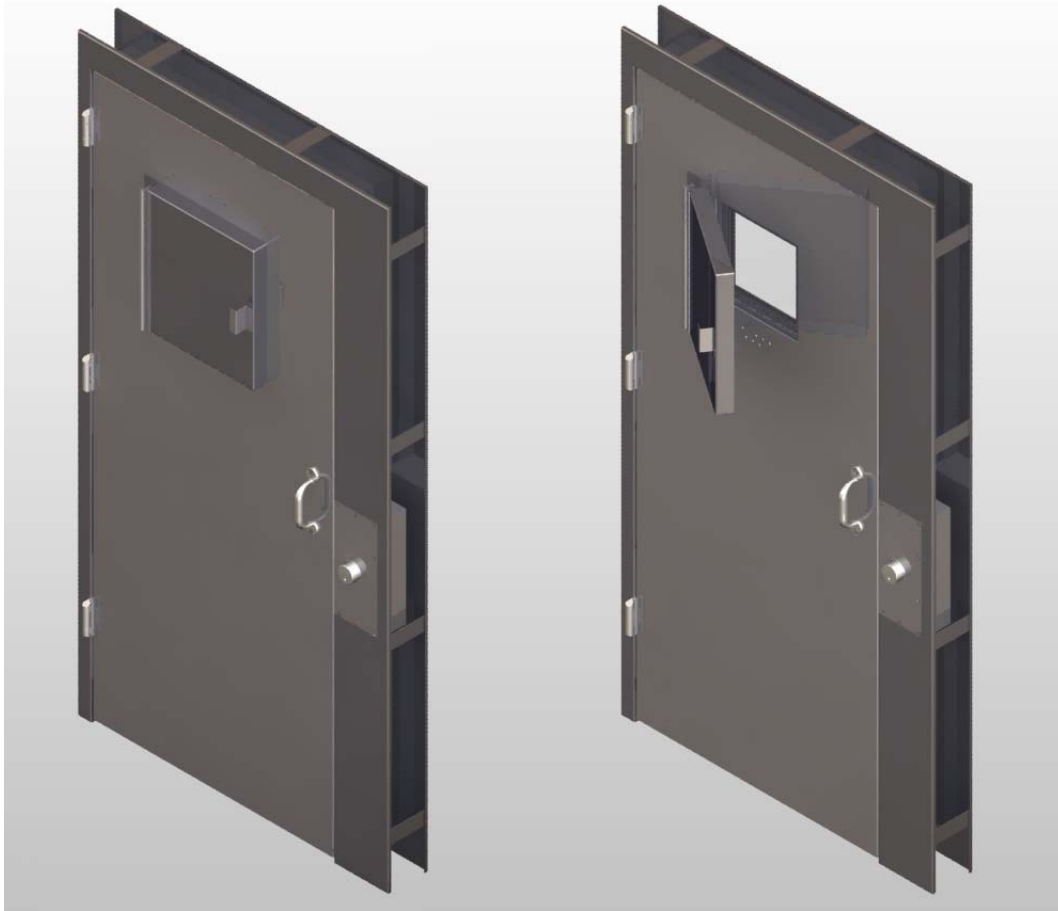
Engineered Steel Doors and Frames – Since 1954

Pan Type Vision Light Shutter

Shutters include continuous hinge and specified latch

12 ga., 14 ga. or 10 ga. - Cold rolled, A60 or G90 galvanized

Shutters are used to limit inmate visual contact



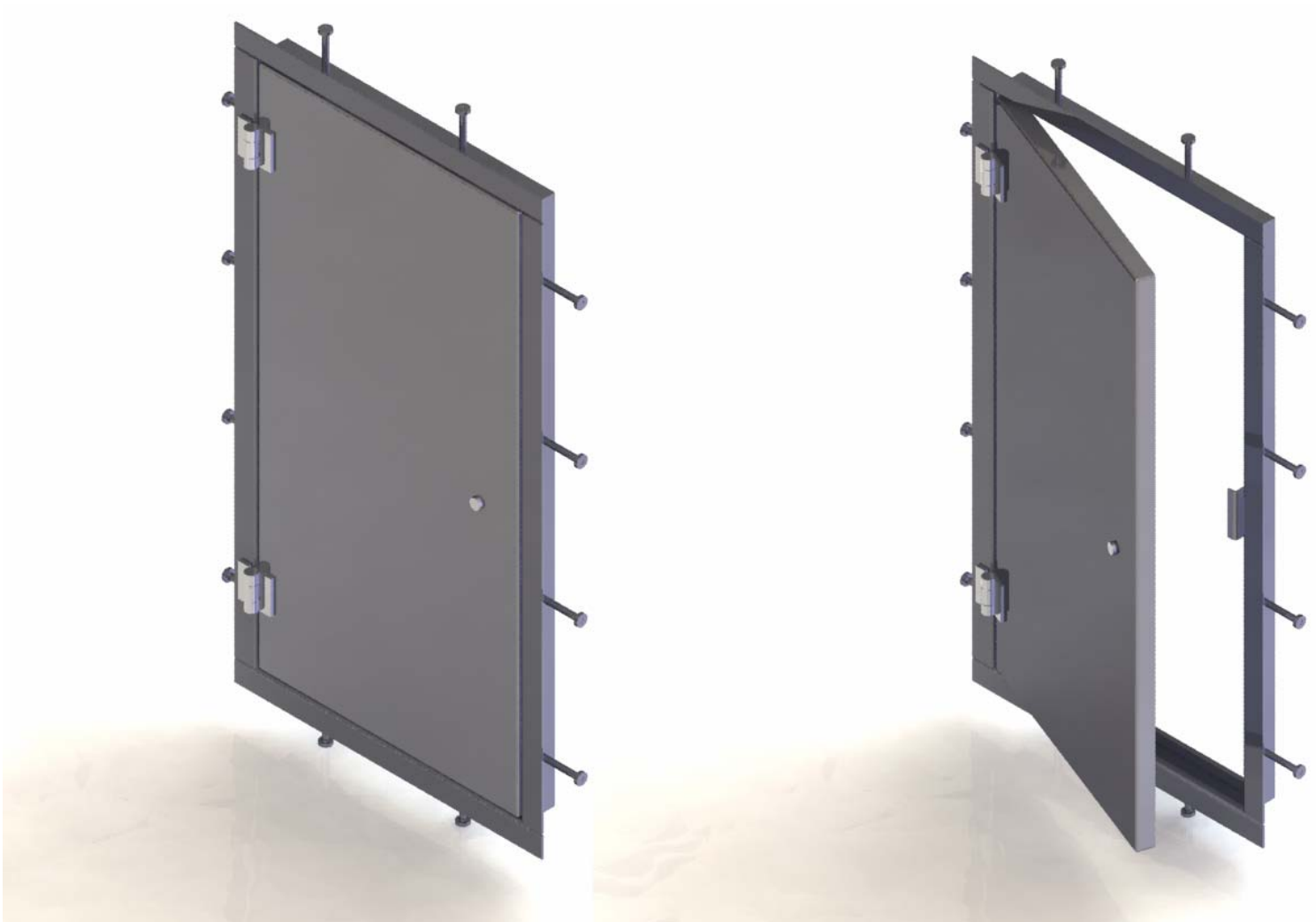
264 Stapleton Road, Cornelia, GA 30531
Phone: 706.778.2212 Fax: 706.778.2769
www.habershammetal.com

Engineered Steel Doors and Frames – Since 1954

Chase Doors – Pan Type

Custom prepared for the client's choice of Lock and Hinges.
Door and Frame constructed of 7 ga. steel

Chase doors are needed to provide security to the MEP chase located in reach of inmates



264 Stapleton Road, Cornelia, GA 30531
Phone: 706.778.2212 Fax: 706.778.2769
www.habershammetal.com

Engineered Steel Doors and Frames – Since 1954