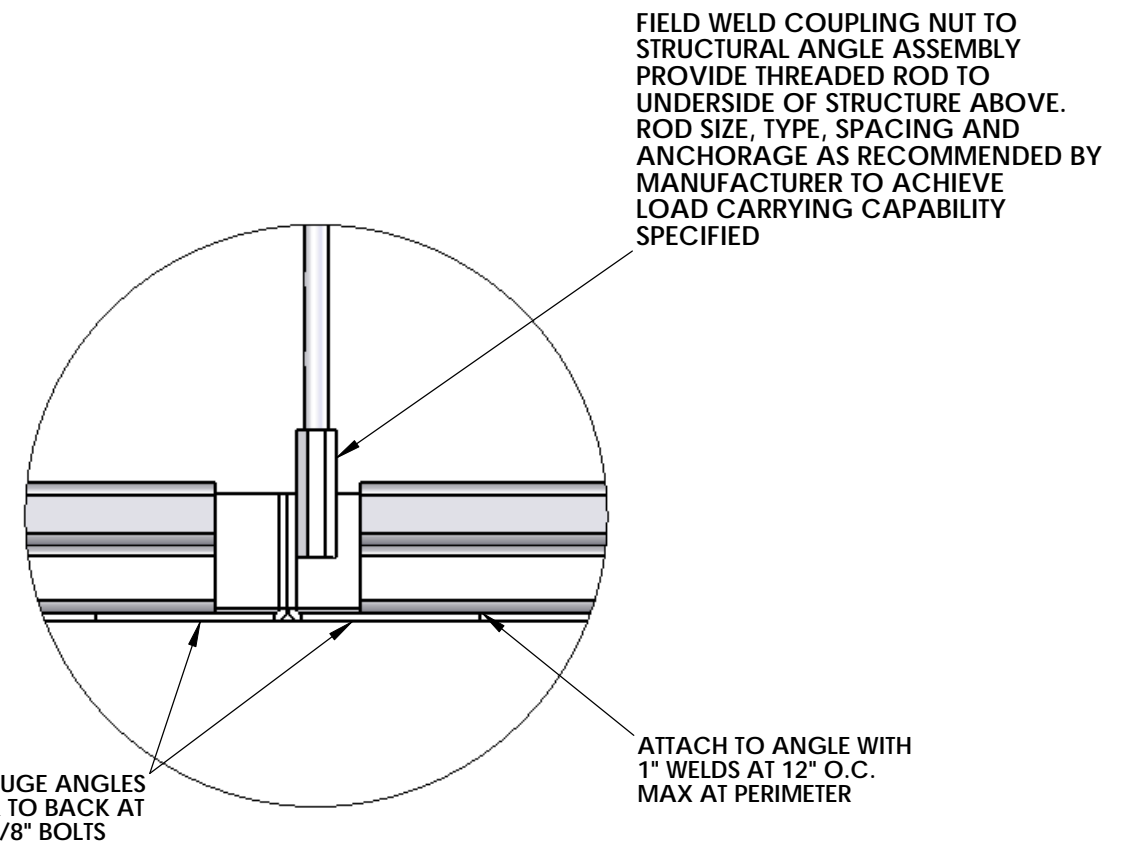
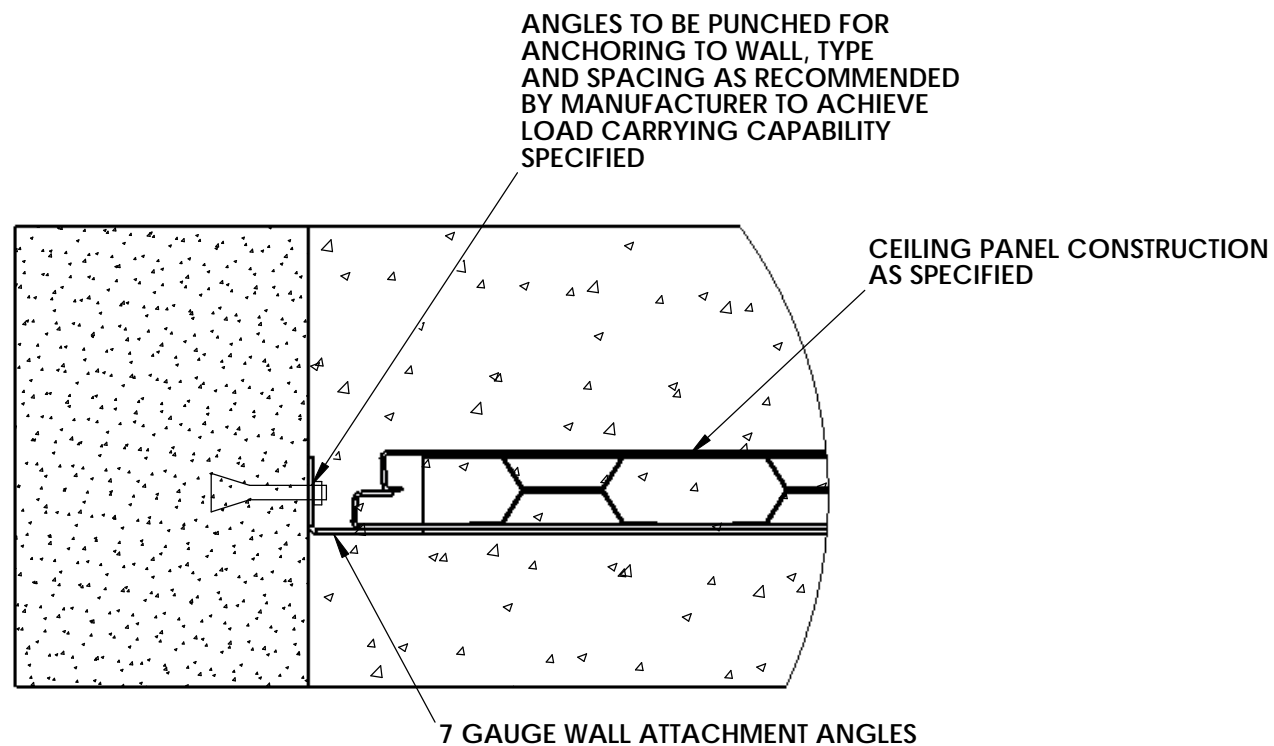


**NOTES**

1. BOTTOM FACE SHEET - PERFORATED OR NON-PERFORATED AS SPECIFIED (16, 14, OR 12 GAUGE AS SPECIFIED)
2. TOP SHEET - NON-PERFORATED, 16, 14 OR 12 GAUGE AS SPECIFIED
3. CORE OF SECURITY PANELS TO BE FILLED WITH ROCK WOOL INSULATION FOR SOUND DEADENING



**SECURITY CEILING PANEL**

Notes:

1. THESE DIMENSIONS ARE NOT TO BE USED TO PRE-MORTISE DOORS, ORDER GLASS OR OTHER MATERIALS TO BE USED WITH THESE OPENINGS.
2. THESE DRAWINGS HAVE BEEN PREPARED FOR THE USE OF HABERSHAM METAL PRODUCTS COMPANY ONLY. WE WILL NOT BE RESPONSIBLE FOR ANY ERRORS INCURRED THROUGH THEIR USE BY OTHER TRADES.

Drawing: Security Ceiling System - 2" Ceiling Panels